



Longitudinal breast meat slicer

JP2102



Yield

- Yield : 130kg / 1hr (When check weighing)
- Operator : 1
- Sorter : 2

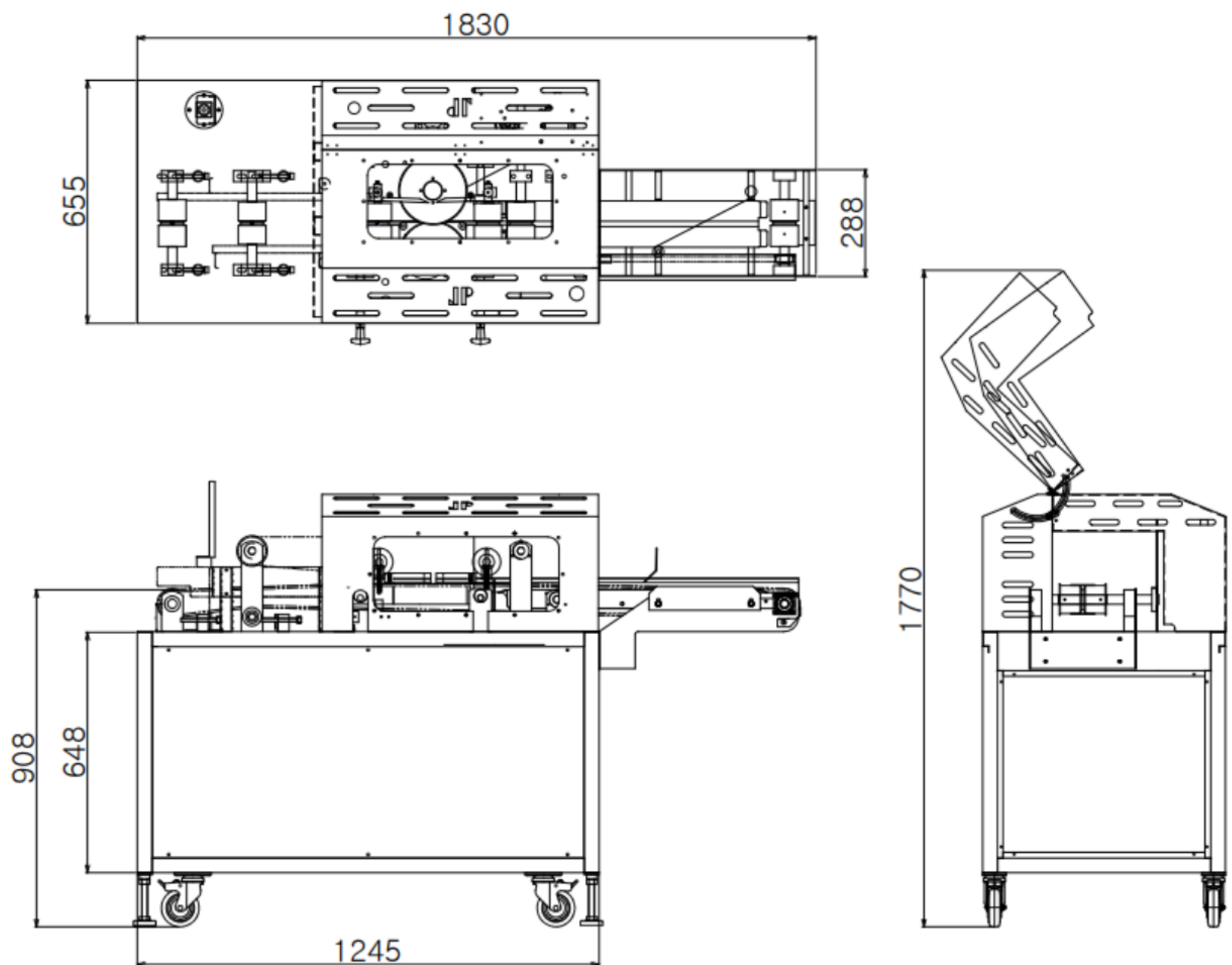
Jeil Precision is a South Korean food processing machinery manufacturing company established in 2002.

We primarily focus on poultry cutting equipment and provide differentiated solutions based on years of experience.

With expertise in designing and developing specialized machines for secondary processing production lines, personnel deployment, and customized machinery, we aim to reduce labor costs and meet the diverse demands of cutting products driven by changes in dietary culture through engineering design and research and development (R&D).

Technical Specifications

- Stainless steel angle pipe, stainless steel bending structure
- Transfer belt: Embossed polyurethane belt
- Height adjustment: From the initial height, downward adjustment of 5mm.
- Operating voltage : 3-phase 380V
- Power consumption : 0.2KW
- Machine dimensions
 - Width 1,829mm
 - Length 655mm
 - Height 1,102mm
- Material of the knife: 420J2
 - Outer diameter Ø 185
 - Inner diameter Ø 28
 - Thickness 1.5mm



CONTACT US

ADD. 21-24, Bangchon-ro 348 Beon-gil,
Paju-si, Gyeonggi-do, 10847 Korea

TEL. +82 31 947 4479

E-mail. jdh5142@naver.com



Home



Product

